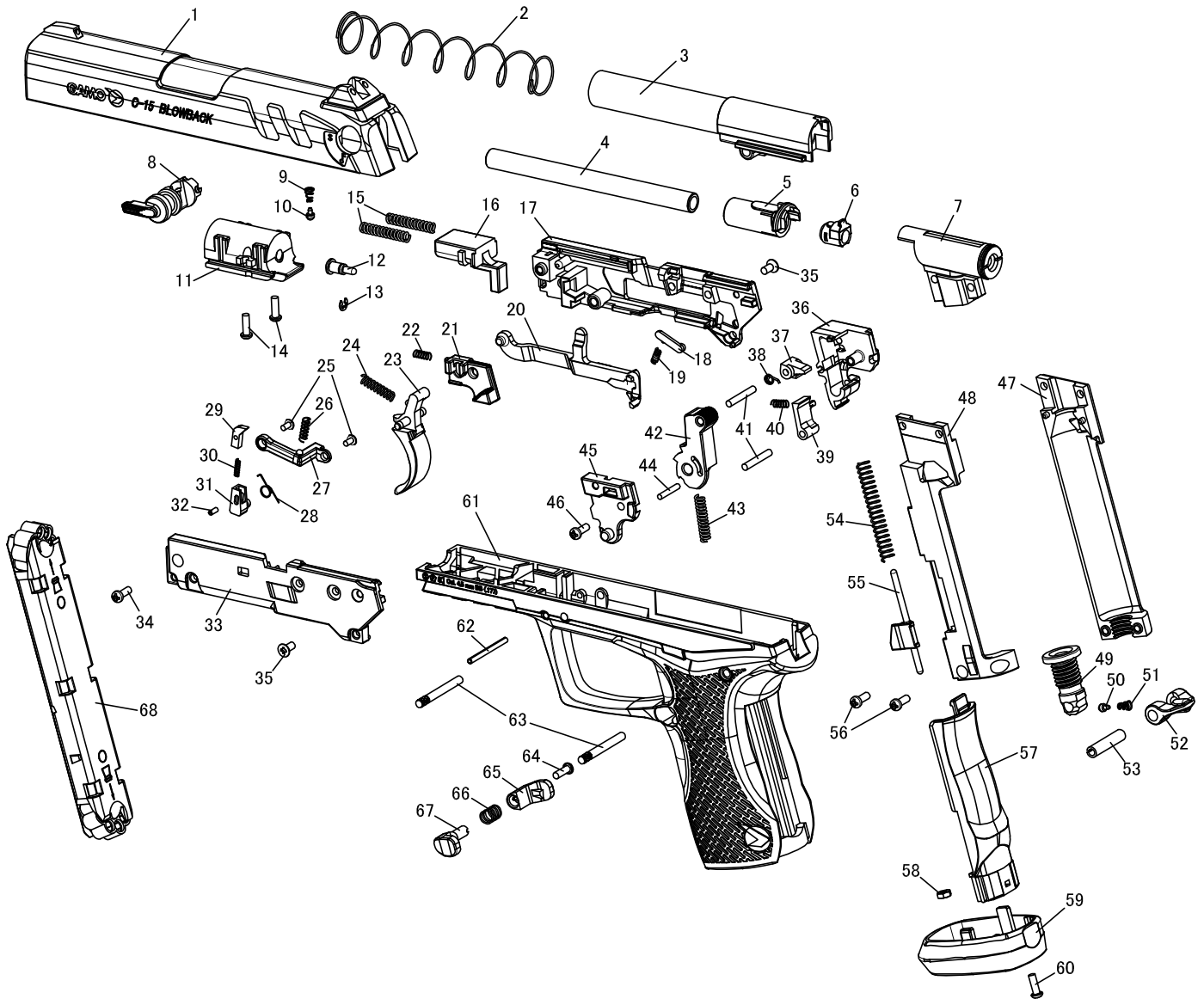


C-15 BLOWBACK WITH PELLETS AND BB's

Jun.27.2014



- | | | |
|--------------------------------------|---------------------------------|---|
| 1. Slide Assembly | 24. Trigger Spring | 47. Puncture Frame Right |
| 2. Recoil Spring | 25. Nail Arm Screw | 48. Puncture Frame Left |
| 3. Outer Barrel | 26. Nail Arm Spring | 49. Puncture Adjuster Screw |
| 4. Inner Barrel | 27. Nail Arm | 50. Puncture Screw Click Plunger |
| 5. Barrel Base | 28. Nail Base Spring | 51. Puncture Screw Click Plunger Spring |
| 6. Chamber Sleeve | 29. Nail | 52. Puncture Adjuster Screw Knob |
| 7. Valve Assembly | 30. Nail Spring | 53. Puncture Screw Pin |
| 8. Safety Lever | 31. Nail Base | 54. Magazine Release Spring |
| 9. Safety Lever Click Plunger Spring | 32. Nail Pin | 55. Magazine Release Bar |
| 10. Safety Lever Click Plunger | 33. Mechanism Frame Left | 56. Puncture Frame Screw |
| 11. Cylinder Block | 34. Mechanism Frame Front Screw | 57. Rear Grip |
| 12. Firing Pin | 35. Mechanism Frame Rear Screw | 58. Rear Grip Nut |
| 13. Firing Pin Retaining Ring | 36. Hammer Base Right | 59. Magazine Bottom |
| 14. Cylinder Block Screw | 37. Hammer Block | 60. Magazine Bottom Screw |
| 15. Buffer Spring | 38. Hammer Block Spring | 61. Frame |
| 16. Slide Block | 39. Sear | 62. Slide Block Pin |
| 17. Mechanism Frame Right | 40. Sear Spring | 63. Frame Pin |
| 18. Trigger Bar Plunger | 41. Hammer Base Pin | 64. Magazine Catch Screw |
| 19. Trigger Bar Plunger Spring | 42. Hammer | 65. Magazine Catch Right |
| 20. Trigger Bar | 43. Hammer Spring | 66. Magazine Catch Spring |
| 21. Nail Arm Lift | 44. Hammer Pin | 67. Magazine Catch Left |
| 22. Nail Arm Lift Spring | 45. Hammer Base Left | 68. Magazine Assembly |
| 23. Trigger | 46. Hammer Base Screw | |