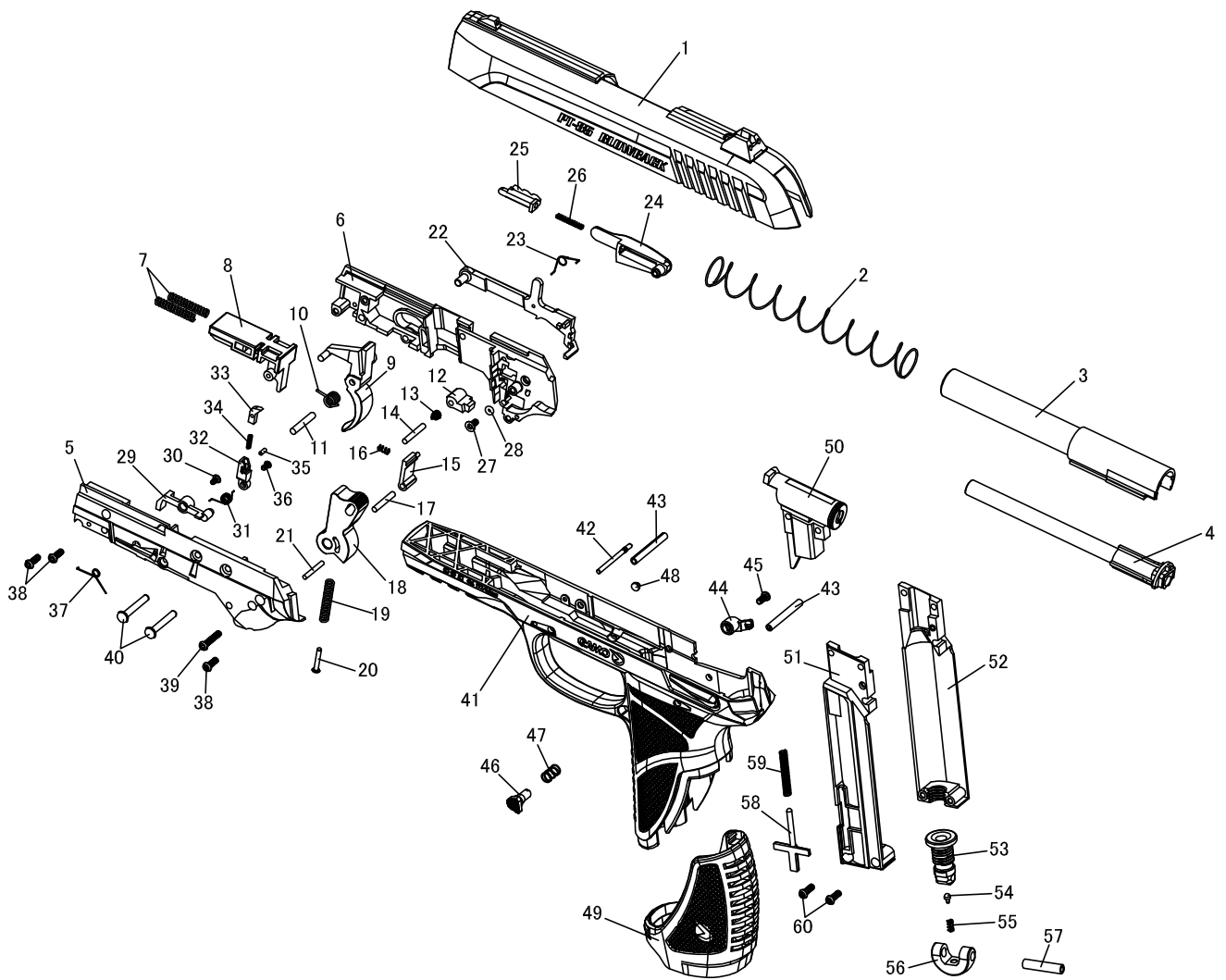


# PT-85 BLOWBACK



- |                               |                                |   |
|-------------------------------|--------------------------------|---|
| 1. Slide Assembly             | 21. Hammer Spring Pressure Pin | 41. Frame                               |
| 2. Recoil Spring              | 22. Trigger Bar                | 42. Slide Block Pin                     |
| 3. Outer Barrel               | 23. Trigger Bar Spring         | 43. Mechanism Frame Pin                 |
| 4. Inner Barrel Assembly      | 24. Safety                     | 44. Magazine Catch                      |
| 5. Mechanism Frame Left       | 25. Safety Lock                | 45. Magazine Catch Screw                |
| 6. Mechanism Frame Right      | 26. Safety Lock Spring         | 46. Magazine Catch Button               |
| 7. Buffer Spring              | 27. Safety Screw               | 47. Magazine Catch Spring               |
| 8. Slide Block                | 28. Space O-ring               | 48. Red Dot                             |
| 9. Trigger                    | 29. Hand Lever                 | 49. Grip Bottom                         |
| 10. Trigger Spring            | 30. Hand Lever Screw           | 50. Valve Assembly                      |
| 11. Trigger Pin               | 31. Hand Spring                | 51. Puncture Frame Left                 |
| 12. Hammer Block Piece        | 32. Hand                       | 52. Puncture Frame Right                |
| 13. Hammer Block Piece Spring | 33. Pawl                       | 53. Puncture Adjuster Screw             |
| 14. Hammer Block Piece Pin    | 34. Pawl Spring                | 54. Puncture Screw Click Plunger        |
| 15. Sear                      | 35. Pawl Pin                   | 55. Puncture Screw Click Plunger Spring |
| 16. Sear Spring               | 36. Hand Screw                 | 56. Puncture Adjuster Screw Knob        |
| 17. Sear Pin                  | 37. Hand Lever Spring          | 57. Puncture Screw Pin                  |
| 18. Hammer                    | 38. Mechanism Frame Screw (S)  | 58. Magazine Release                    |
| 19. Hammer Spring             | 39. Mechanism Frame Screw (L)  | 59. Magazine Release Spring             |
| 20. Hammer Spring Guide       | 40. Valve Body Pin             | 60. Puncture Frame Screw                |